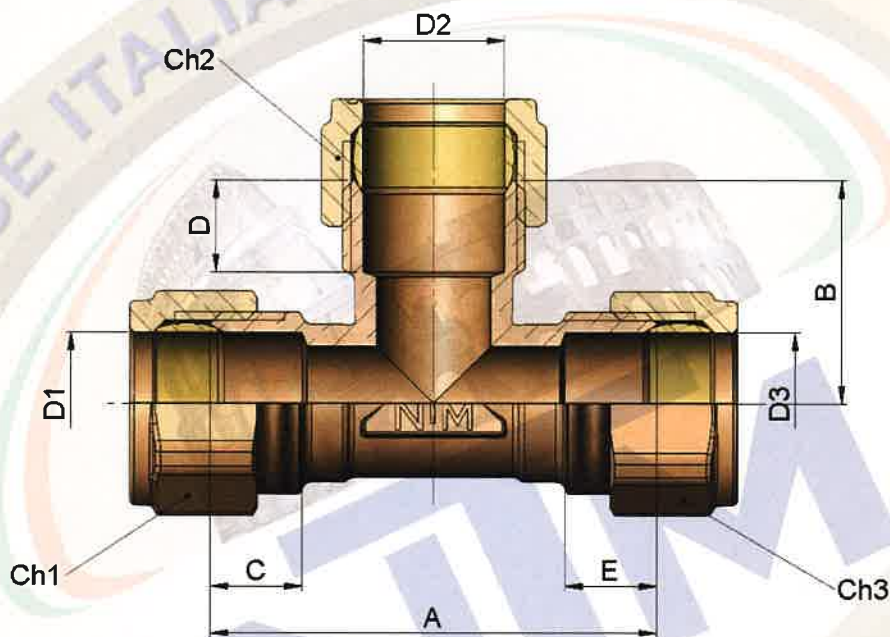




## SCHEDA TECNICA / DATA SHEET

### Art.207-H

Raccordo a Tee  
Tee



TAB. 1/2

Misura Size	D1 [mm]	D2 [mm]	D3 [mm]	A [mm]	B [mm]	C [mm]	D [mm]	E [mm]	Ch1 [mm]	Ch2 [mm]	Ch3 [mm]
08x08x08	8	8	8	47.0	23.5	9.5	9.5	9.5	17	17	17
10x10x10	10	10	10	46.0	23.0	9.5	9.5	9.5	17	17	17
12x12x12	12	12	12	46.0	23.0	12.0	12.0	12.0	19	19	19
14x14x14	14	14	14	49.0	24.5	12.0	12.0	12.0	24	24	24
15x15x15	15	15	15	49.0	24.5	12.0	12.0	12.0	24	24	24
16x16x16	16	16	16	51.0	25.5	10.5	10.5	10.5	24	24	24
18x18x18	18	18	18	53.0	26.5	12.0	12.0	12.0	27	27	27
22x22x22	22	22	22	55.0	29.5	13.0	13.0	13.0	32	32	32
28x28x28	28	28	28	63.0	31.5	13.0	13.0	13.0	38	38	38

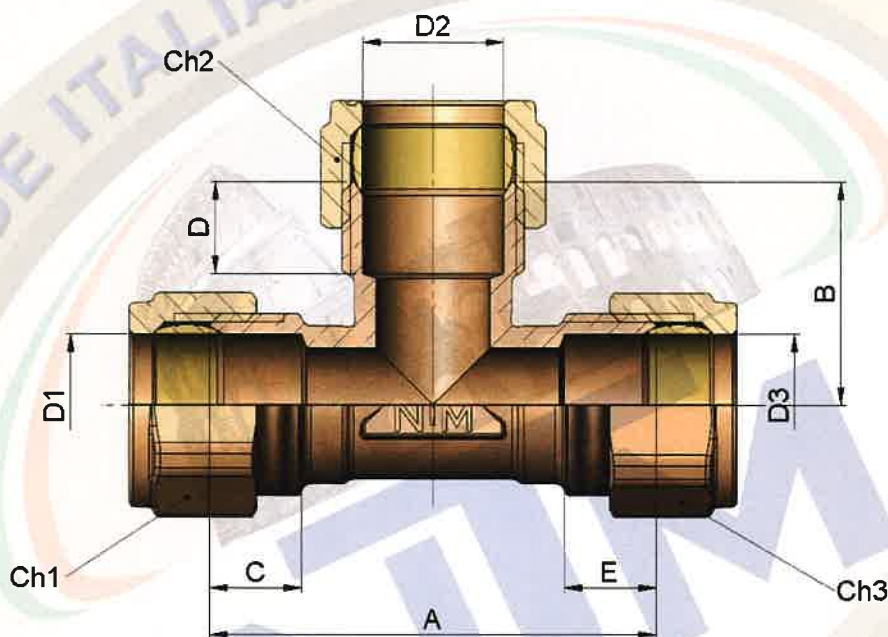


## SCHEDA TECNICA / DATA SHEET

### Art.207-H

Raccordo a Tee

Tee



TAB. 2/2

Misura Size	D1 [mm]	D2 [mm]	D3 [mm]	A [mm]	B [mm]	C [mm]	D [mm]	E [mm]	Ch1 [mm]	Ch2 [mm]	Ch3 [mm]
RIDOTTI / REDUCED											
15x12x15	15	12	15	49.0	23.0	12.0	12.0	12.0	24	19	24
18x15x15	18	15	15	53.0	26.5	12.0	12.0	12.0	27	24	24
18x15x18	18	15	18	53.0	26.5	12.0	12.0	12.0	27	24	27
18x18x15	18	18	15	53.0	26.5	12.0	12.0	12.0	27	27	24
22x15x15	22	15	15	55.0	27.5	13.0	12.0	12.0	32	24	24
22x15x22	22	15	22	55.0	27.5	13.0	12.0	13.0	32	24	32
22x22x15	22	22	15	55.0	29.5	13.0	13.0	12.0	32	32	24
22x18x18	22	18	18	55.0	27.5	13.0	12.0	12.0	32	27	27
22x18x22	22	18	22	55.0	27.5	13.0	12.0	13.0	32	27	32
22x22x18	22	22	18	55.0	29.5	13.0	13.0	12.0	32	32	27